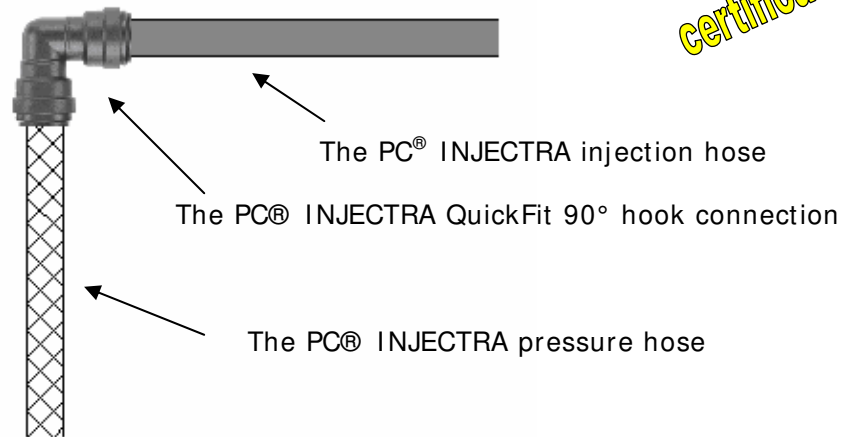


PC[®] INJECTRA QuickFit

1. Composition

The PC[®] INJECTRA set contains 3 products:



1.1 PC[®] INJECTRA injection hose:

- Material: 100% polyethylene (imperishable) and equipped with a special water-repellent coating
- Diameter: internal: 6 mm
external: 11 mm
- Wall thickness: 2,5 mm
- Weight: 58 – 68 g/m
- Flow rate: ca 70 l/h/m (depending on the viscosity of the resin)

The injection hose is made from expanded PE, which has a porous structure with cells that are mutually connected and form a zigzag passage. The cells open under pressure of the injected resin. The special water-repellent coating prevents the penetration of concrete milk coming from outside. The injection hose allows an optimal and uniform spread of the resin which will eventually be injected later on. This hose is ideal for the injection of polyurethane, epoxy, and acrylic resins.

* SECO: Technical control bureau for construction in Belgium

1.2 PC® INJECTRA 90° hook connection:

This hook connection forms the connecting piece between the PC® INJECTRA injection hose and the PC® INJECTRA pressure hose. The injection hose and the pressure hose are fastened by a simple push and pull movement in the 90°-hook connection.

**1.3 PC® INJECTRA pressure hose:**

- Material: crystal-clear, transparent PVC hose with woven polyester fibres.
- Length: depending on the thickness of the concrete wall
- Concrete height: max. 20 meter
- Temperature range: till 60°C

This pressure hose forms the end of the hose which comes out of the form work.

At the end of this hose an injection nipple can be connected.

2. Contents

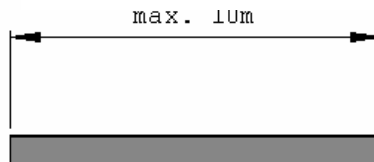
50m injection hose type PC® INJECTRA
5m pressure hose
12 connections
200 fixing hooks

3. Injection material

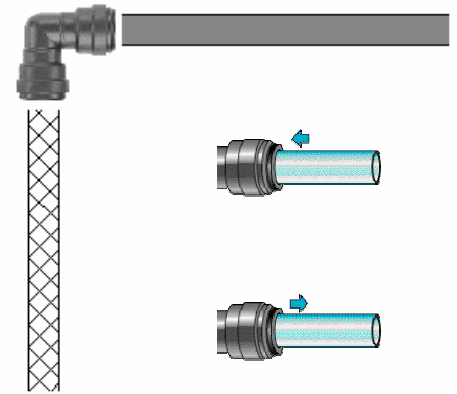
PC® Leakinject UNI 6816 EVL
PC® Leakinject 2K FLEX 6811
PC® 509 L Acryl

INSTALLATION / FIXATION OF PC[®] INJECTRA QF

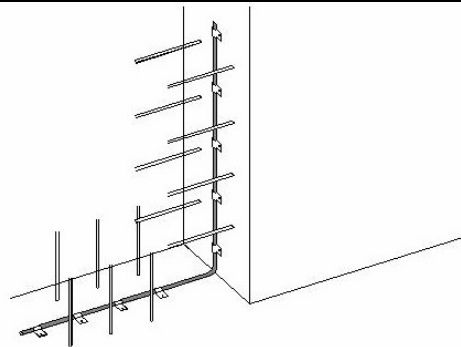
LENGTH INJECTION HOSE



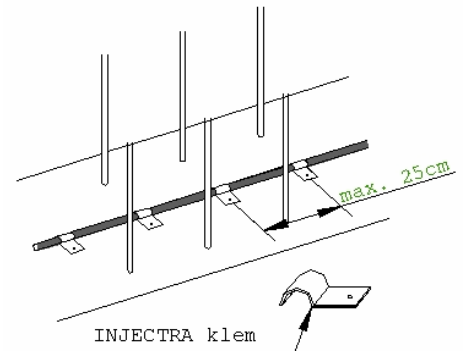
1. Cut the injection hose (max. 10 m) and pressure hose at length



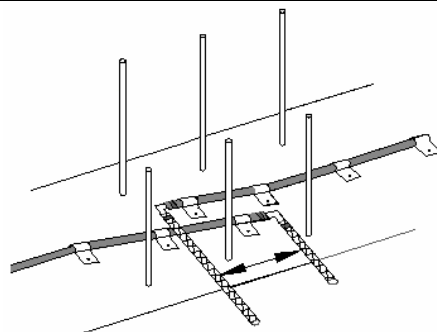
2. Click the hoses in the 90° quickfit connection



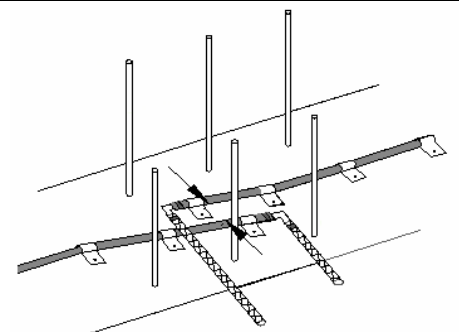
3. Place the injection hose in the middle of the chute



4. Fix the injection hose with the fixations every 25cm



5. Respect an overlap of at least 5cm between neighbouring zones



6. Also respect a distance of 5 cm between neighbouring hoses